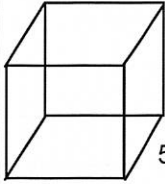


Volume of Cube or Rectangular Prism

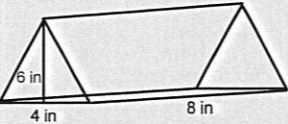


Base:
Area of Base:
Volume of Cube:

5 mm

Apr 8-8:45 AM

Volume of Triangular Prism

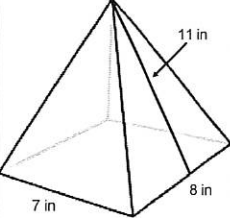


Base:
Area of Base:
Volume of a Triangular Prism:

6 in
4 in
8 in

Apr 9-8:39 AM

Volume of a Rectangular Pyramid

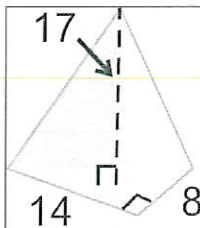


Base:
Area of Base:
Volume of a Rectangular Pyramid:

11 in
7 in
8 in

Apr 9-8:39 AM

Volume of a
Triangular Pyramid



Base:
Area of Base:

Volume of a
Triangular Pyramid:

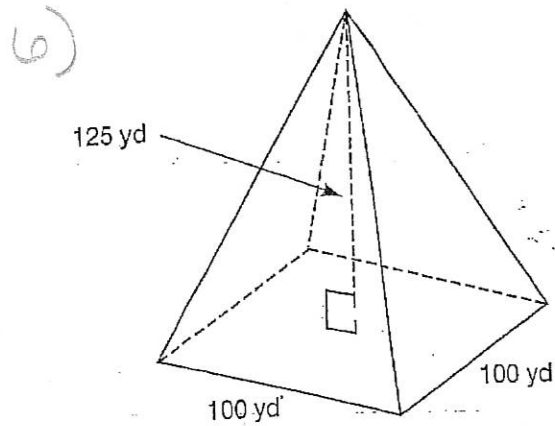
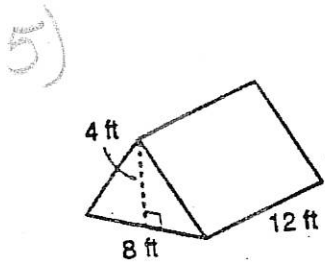
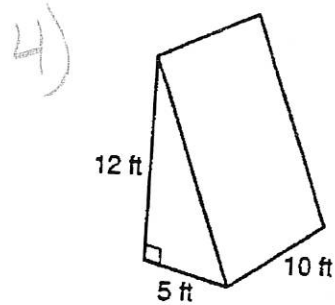
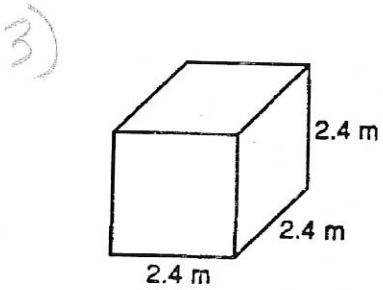
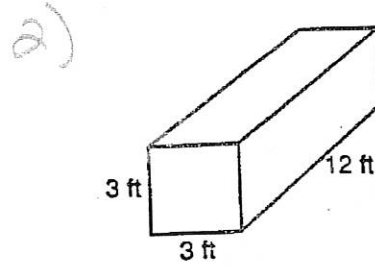
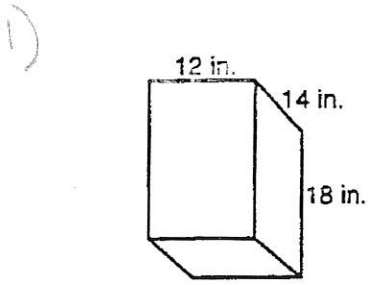
17

14

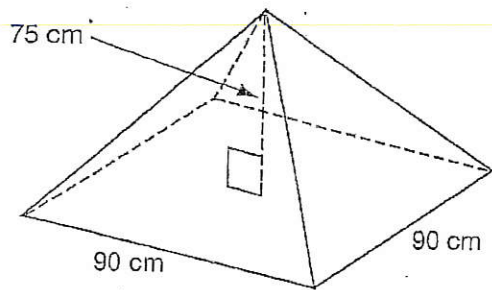
8

Apr 9-8:39 AM

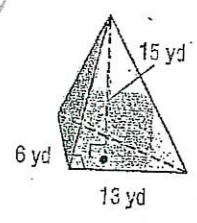
Volume of Prisms and Pyramids Name: _____



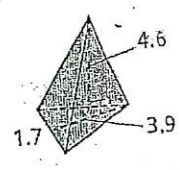
7)



8)



9)



10)

The pyramid at the entrance to the Louvre in Paris has a height of 72 feet and a square base that is 112 feet long on each side. What is the volume of this pyramid?

11)

The Pyramid Arena in Memphis, TN, is 321 feet tall and has a square base that is 200 yards on each side.

a) What is the volume in cubic feet of the arena?